

# Work chair acc. to DIN 68877 Model KLIMASTAR



Pos. Adjustment

1 Backrest tilt

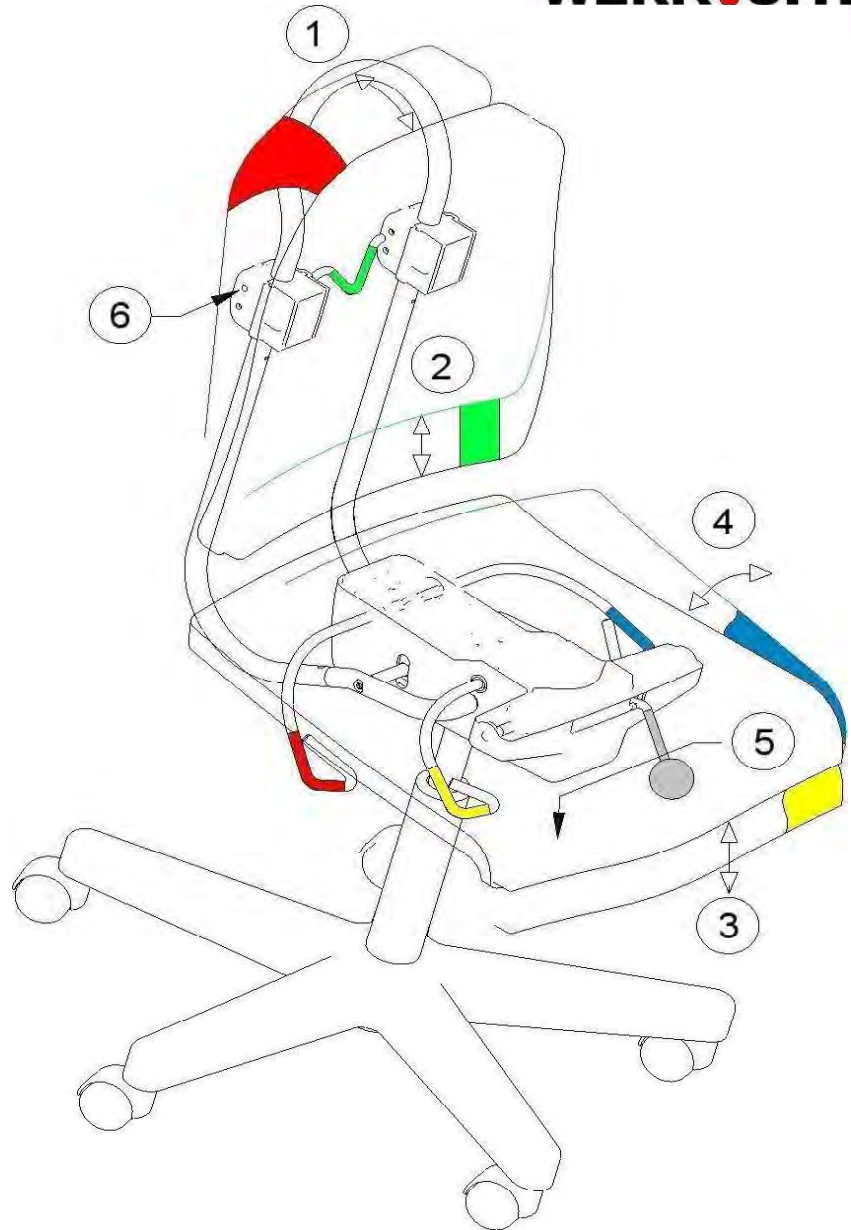
2 Backrest height

3 Seat height

4 Seat tilt

5 Backrest pressure

6 Backrest clamp force



**Tested safety with the GS test symbol of the LGA Nürnberg (Trade Inspection Authority)**

### **Additional handling information:**

- **Seat can be adjusted while seating**
- **The adjustment of the seat inclination has to be done while sitting centred**
- **Seat and backrest are infinitely variable adjustable**
- **For active sitting release lever for seat and backrest inclination (pos. 1+4); otherwise backrest is lockable downwards (pos. 4)**
- **Before adjusting the backrest pressure (pos. 5), the backrest has to be brought into the front position**
- **Cleaning: do not splash with water or blast with steam**
- **PU upholstery can be removed and cleaned with damp cloth; recommended is damp microfibre cloth and customary cleaning agent (without alcohol!); do not scrub the PU**

The Werksitz work chair supports healthy sitting without tiring due to the variety of adjustment possibilities.

Make use of these advantages and adjust the work chair optimally to your body and your work flow.

① Adjustment of the backrest inclination infinitely variable.

② Adjustment of the backrest height infinitely variable.

Loosen the eccentric with the Allen key no. 2, bring backrest into desired position, tighten eccentric.

③ Automatic adjustment of seat height via gas spring with depth spring effect.

Move the lever no. 3 upwards to change the seat height.

Hint:

Seat and backrest inclination act simultaneously when you do not fix the hand wheels 1 and 4.

Care and maintenance:

When handled properly, the Werksitz work chair is absolutely care and maintenance-free.

Application notes:

The seat height is adjusted correctly when the distance between seat and workplace is between 200 and 230 mm. At special workplaces, (application of force, visual control) the seat has to be adjusted individually to the working height. In case the chair is adjusted to a permanent seat height of more than 650 mm, it has to be equipped with an ascent support acc. to the legal regulations. This does not apply if the workplace itself is equipped with an ascent support.

## **Instruction:** **Changing the PU upholstery of WS 92xx**

**Seat:**



**Remove upholstery:**

Lift seat upholstery at the front and pull off to backwards.

**Fix upholstery:**

Lay seat upholstery onto the plastic plate and press on from the back to the front.

**Backrest:**



**Remove upholstery:**

Unclip backrest upholstery and pull off from the bottom up.

**Fix upholstery:**

Push backrest upholstery into the plastic plate from top downwards.